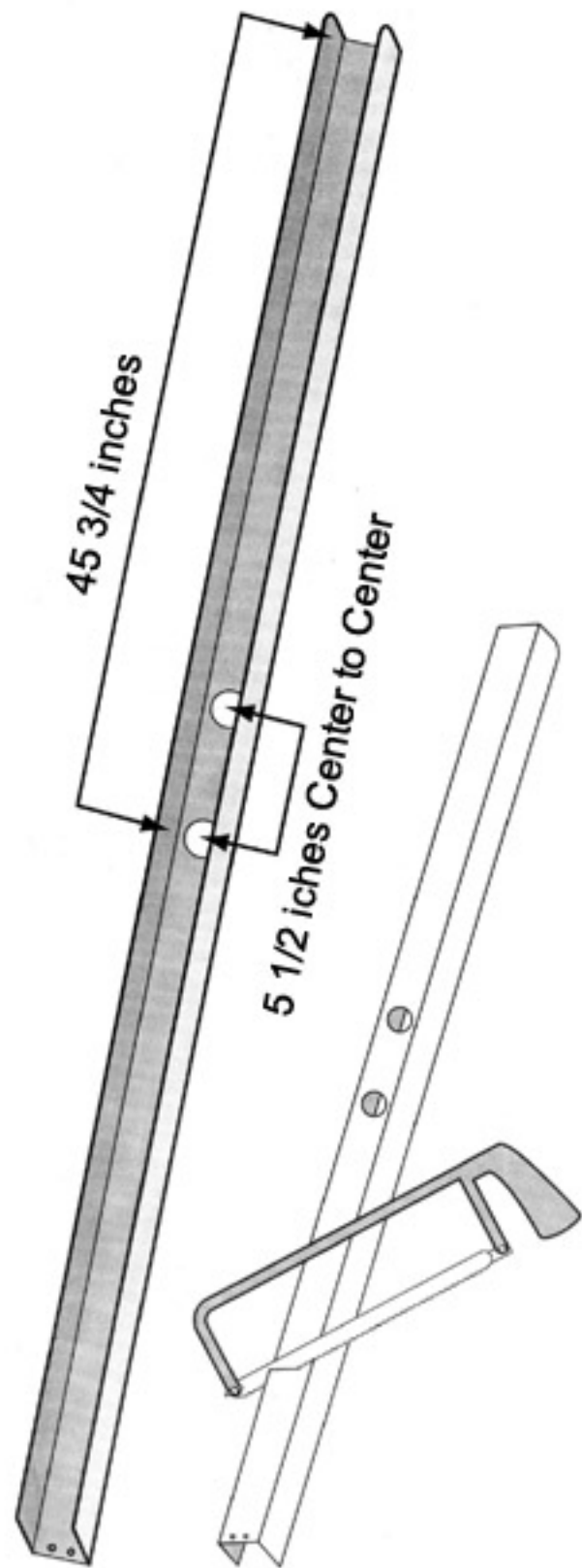


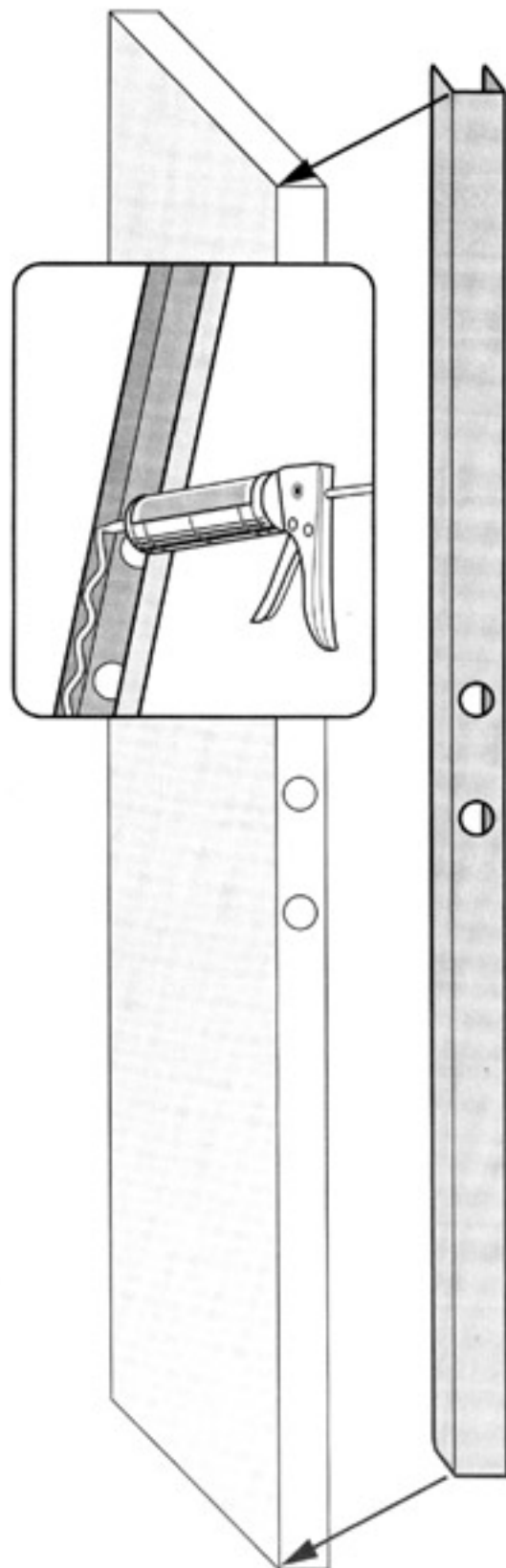
1 Measure and Trim

- Align holes with latch and deadbolt.
- Trim excess from ends if necessary.



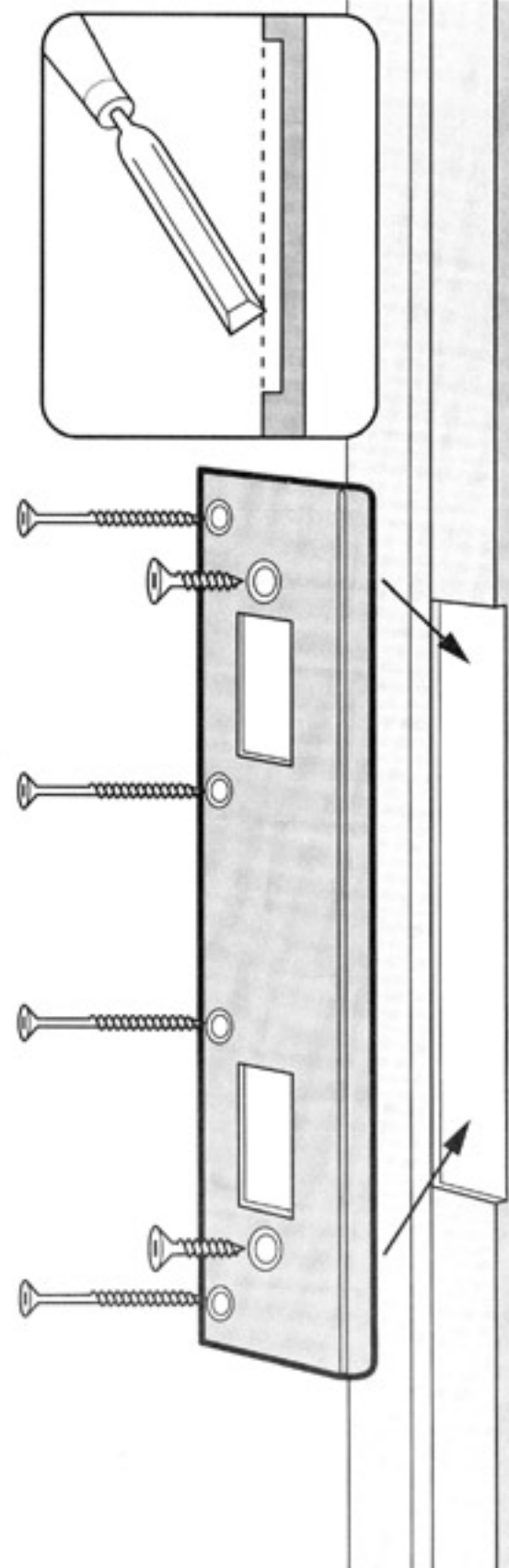
2 Silicone & Install

- Apply silicone adhesive along inside of Safe Door Systems® channel.
- Install Safe Door Systems® to edge of door.



3 Chisel, if necessary and install

- Chisel door jamb to allow Safe Door Systems® strikeplate to sit flush with door jamb.
- Install Safe Door Systems® strikeplate using six supplied screws.



4 Completed Assembly

Your Safe Door Systems® is now installed.

